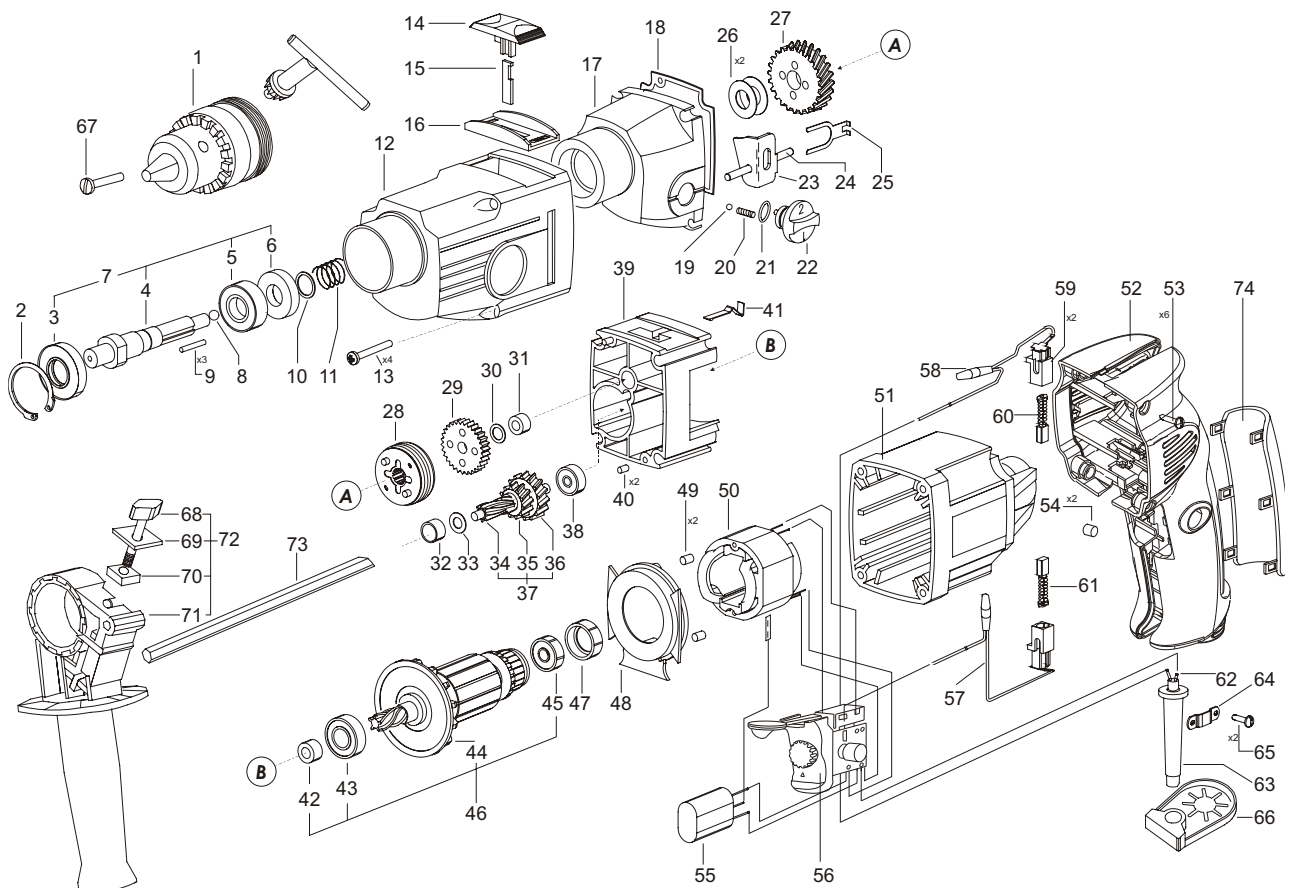


POS. No.	Ref.No.	Description	POS. No.	Ref.No.	Description
1	118984	Chuck B13L	38	330017	Bearing 626
2	890311	Circlip J32x1,2	39	122447	Bearing shield
3	330266	Gasket R15x32x7UEN TREC00150	40	115865	Pin
4	124077	Spindle	41	122452	Spring
5	330014	Bearing 6002-2Z	42	130581	Bush
6	119185	Hammer bush	43	330291	Bearing 60002ZP63LDS18
7	124075	Spindle set	44	121852	Fan
8	330074	Pellet 5-200	45	330287	Bearing 627-2ZP6LDS18
9	330267	Needle for bearing B3x19.8 G	46	150299	Armature set
10	140005	Washer	47	164934	Rubber bush
11	119022	Spring	48	122828	Diffuser
12	122445	Gear box cover	49	239974	Claming pin
13	151371	Screw AK 5x64x20	50	123216	Stator set
14	170023	Slide	51	150301	Body
15	118884	Support panel	52	153674	Casing handle set
16	122449	Insert	53	361328	Screw K4x18 TORX 20
17	128561	Gear box set	54	272960	Claming pin
18	122446	Gasket	55	152856	Capacitor
19	330073	Pellet 3,5-200	56	173348	Switch Defond DGQ 1106HOHBR
20	130580	Spring	57	153745	Brush holder 10uH,3A,250V
21	330339	O-ring 2-11x2-2	58	153744	Brush holder 10uH,3A,250V
22	170022	Gear switch	59	271678	Brush holder bush
23	122441	Switching plate	60	154137	Brush
24	122440	Axle	61	154138	Brush with a switch
25	122444	Locking panel	62	116549	Cord with a plug
26	117848	Spacer washer	63	206687	Cord protector
27	122427	Spindle gear I	64	256500	Cord clamp
28	124078	Clutch set	65	361360	Screw K 4X9.5 TORX 20
29	122434	Spindle gear II	66	114292	Key holder
30	122435	Spacer washer	67	360582	Screw M6LHX30-8.8
31	330233	Bearing HK0810RS	68	121306	Butterfly screw set
32	330314	Bearing BK0609	69	271221	Plate
33	140033	Spacer washer	70	114032	Nut M6
34	122437	Gear shaft	71	121133	Handle
35	122438	Spindle gear II for Gear shaft	72	121152	Handle set
36	122439	Large intermediate gear	73	121134	Depth gauge
37	122436	Gear shaft set	74	128006	Insert



168053

174491